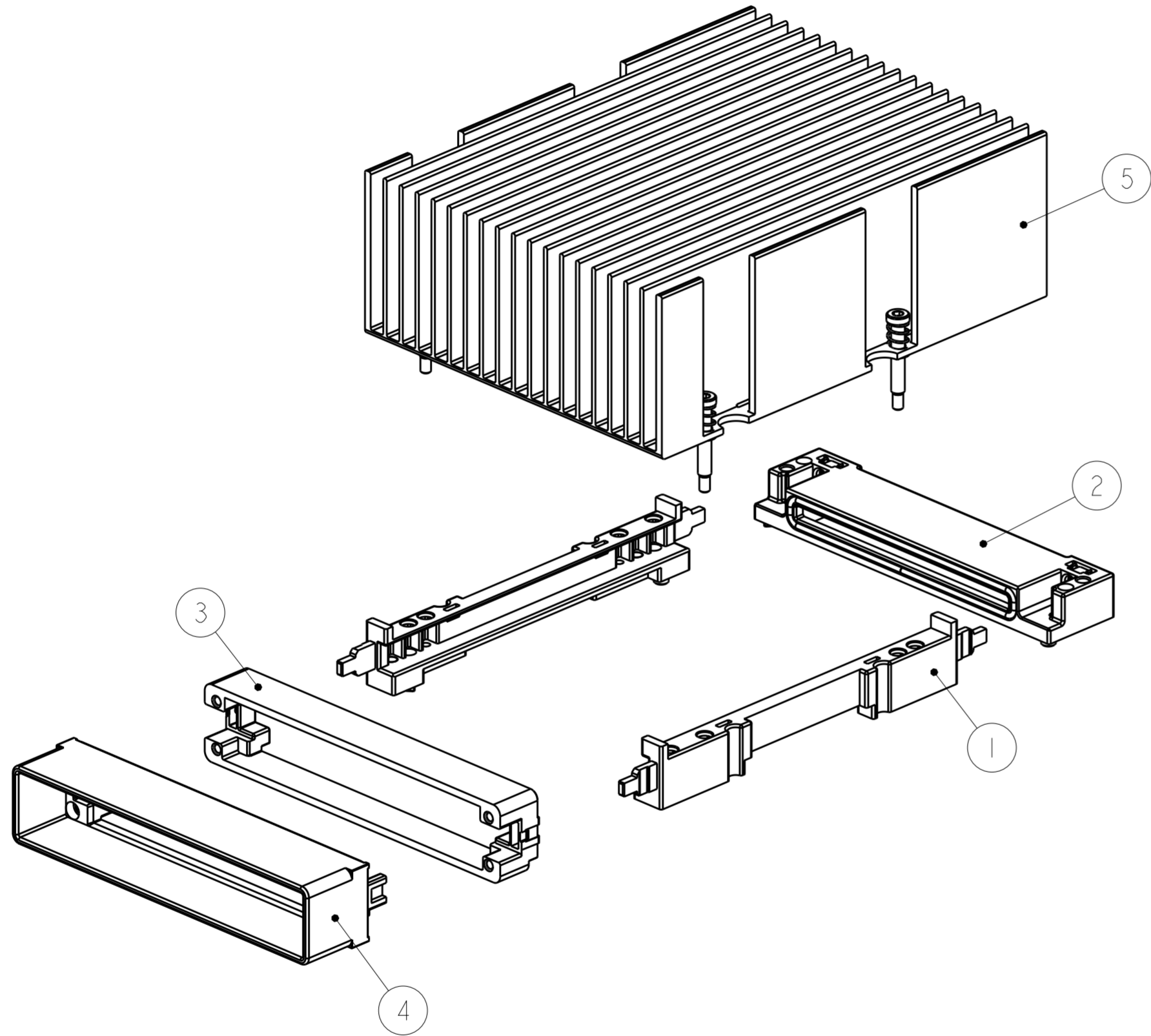



THIS DRAWING IS UNPUBLISHED. RELEASED FOR PUBLICATION 20
 © COPYRIGHT 20 BY - ALL RIGHTS RESERVED.

LOC	DIST	REVISIONS					
GP	00	P	LTR	DESCRIPTION	DATE	DWN	APVD
		B		REVISED PER ECO-12-021786	04MAR2013	CJV	MRS



1	2110903-1	HEATSINK ASSEMBLY	5
1	2057626-2	EXTERNAL BRACKET ASSEMBLY	4
1	2057930-2	BACKER PLATE ASSEMBLY	3
1	2057631-2	CONNECTOR COVER ASSEMBLY	2
2	2057592-2	GUIDE RAIL	1
- 1	PART NUMBER	DESCRIPTION	ITEM NO

THIS DRAWING IS A CONTROLLED DOCUMENT. DIMENSIONING AND TOLERANCING PER ASME Y14.5M-2009		DWN M. SHIRK 14AUG2009	 TE Connectivity	
DIMENSIONS: mm		CHK M. PHILLIPS 14AUG2009		
TOLERANCES UNLESS OTHERWISE SPECIFIED:		APVD	NAME CFP HARDWARE KIT NO HEATSINK	
0 PLC ±	1 PLC ±	PRODUCT SPEC	SIZE	
2 PLC ±	3 PLC ±	108-2399	CAGE CODE	
4 PLC ±	ANGLES ±	114-13263	DRAWING NO	
FINISH		WEIGHT	RESTRICTED TO	
			A200779 C-2110915	
CUSTOMER DRAWING		SCALE	SHEET	OF
				REV B