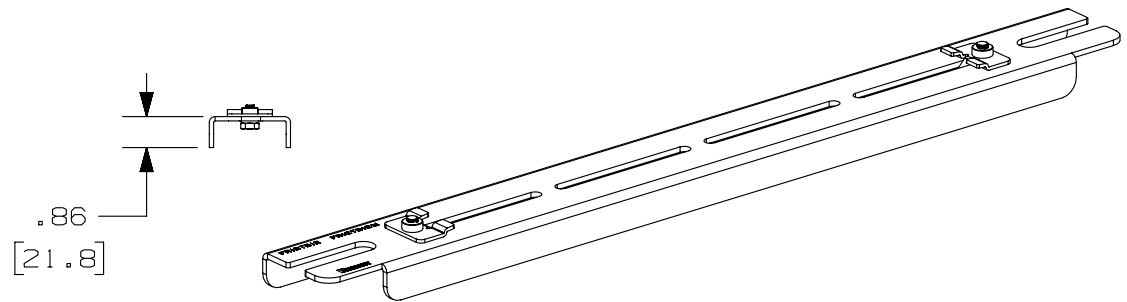
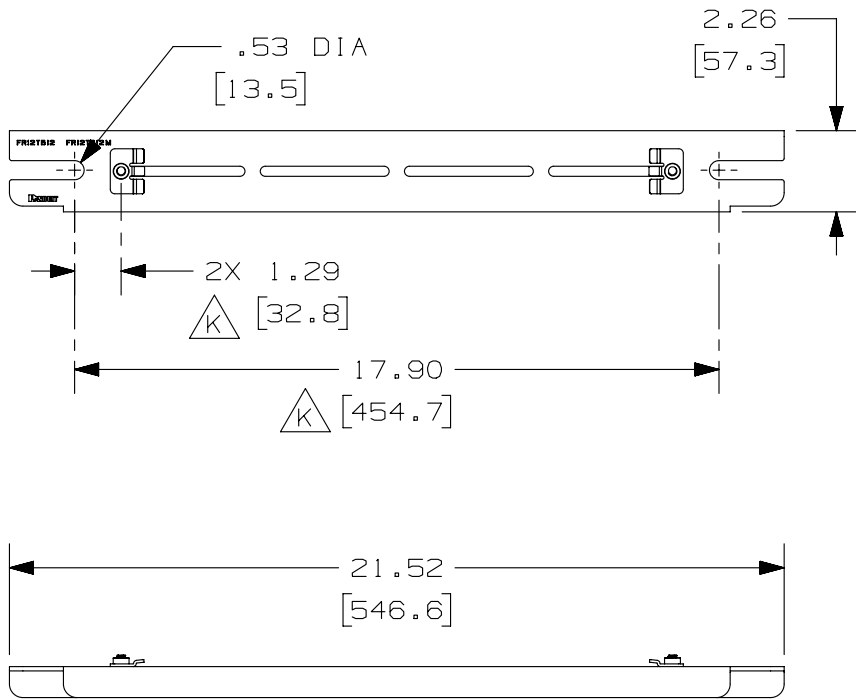


THIS COPY IS PROVIDED ON A RESTRICTED BASIS AND IS NOT TO BE USED IN ANY WAY DETRIMENTAL TO THE INTERESTS OF PANDUIT CORP.

PANDUIT PART NUMBER	WEIGHT
FR12TB12 FR12TB12M	2.71 LB/EACH (1230g/EACH)

NOTES:

- SEE CURRENT CATALOG FOR ADDITIONAL PART SUFFIXES TO INDICATE PACKAGE QUANTITY.
- THE FIBERRUNNER 12x4 QUIKLOCK TRAPEZE BRACKET IS USED TO SUPPORT THE FIBERRUNNER 12x4 CABLE ROUTING SYSTEM BETWEEN TWO (2) SECTIONS OF NEW 1/2" (M12) THREADED ROD THAT ARE 18" (457.2) - 20" (508) APART.
- THE FIBERRUNNER 12x4 QUIKLOCK TRAPEZE BRACKET INCLUDES: ONE (1) BRACKET ASSEMBLY, FOUR (4) 1/2 HELICAL SPRING LOCKWASHERS, FOUR (4) 1/2-13 HEAVY HEX NUTS (FR12TB12 ONLY), FOUR (4) M12x1.75 HEX NUTS (FR12TB12M ONLY), ONE (1) 1/4-20 T-BOLT, ONE (1) 1/4-20 HEX KEPS NUT
- FINISH COLOR: BLACK (EXCEPT FOR HARDWARE).
- DIMENSIONS IN PARENTHESES ARE IN METRIC.



ENG. REF.: D38022C0_DC/03 FR12TB12



REV	DATE	BY	CHK	APR	DESCRIPTION	ECN
4	10-01-13	SSP	KMC	RN	M. REMOVED PRIOR NOTE(S) L. UPDATED TITLEBLOCK TO LATEST VERSION K. ADDED DIMENSION	38022-49

TITLE		FIBERRUNNER 12x4 QUIKLOCK TRAPEZE BRACKET 1/2" (M12) THREADED ROD (FR12TB12, FR12TB12M)	
ITEM REVISION NAME		CUSTOMER DRAWING	
DATASET FILE NAME		D38022C0/04	
DATASET FILE NAME		D38022C0_DC/03 FR12TB12	
UNLESS OTHERWISE SPECIFIED, DIMENSIONAL TOLERANCES ARE: IN [mm]		MATERIAL:	
.X ± .XX ± .03 [.8]		STEEL	
.XXX ± ANGLES ±		DRAWING NUMBER:	
THIRD ANGLE PROJECTION		38022 - 49	
DRAWN BY	DATE	CHK	SCALE
JHNU	10-02-01	RPA	NONE
SHT 1 OF 1		SIZE	
A		A	

D10100DA/16